

APPLICATIONS

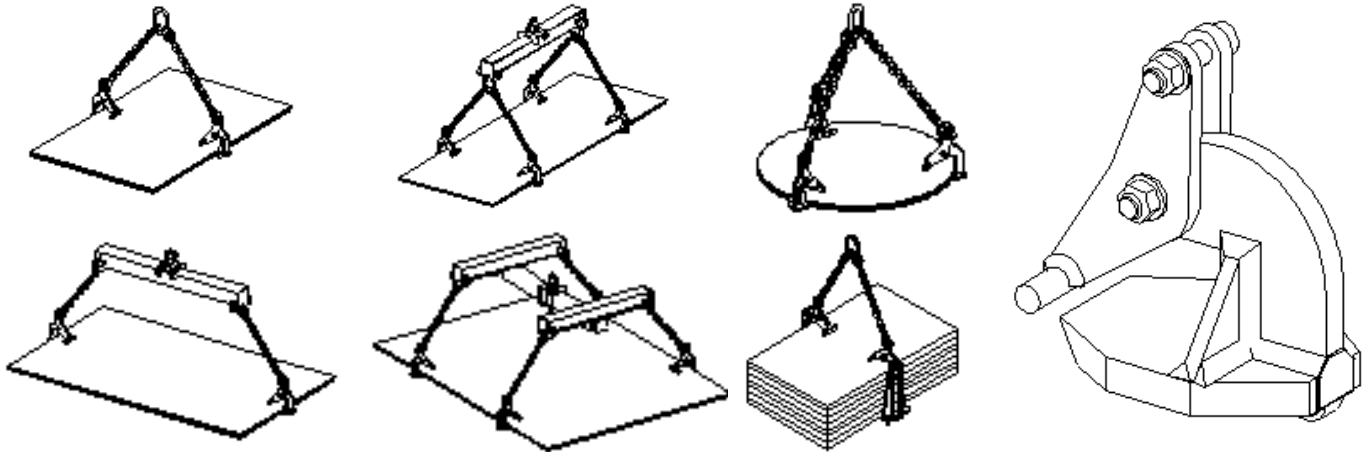
Lifting of horizontal plates or sheets (individual or bundles), circular plates or fabricated assemblies.

Accessories equipped with a tip up lever ensuring the clamping of the load.

Use in pairs for lifting horizontal plates or sheet metals, individual or in bundles:

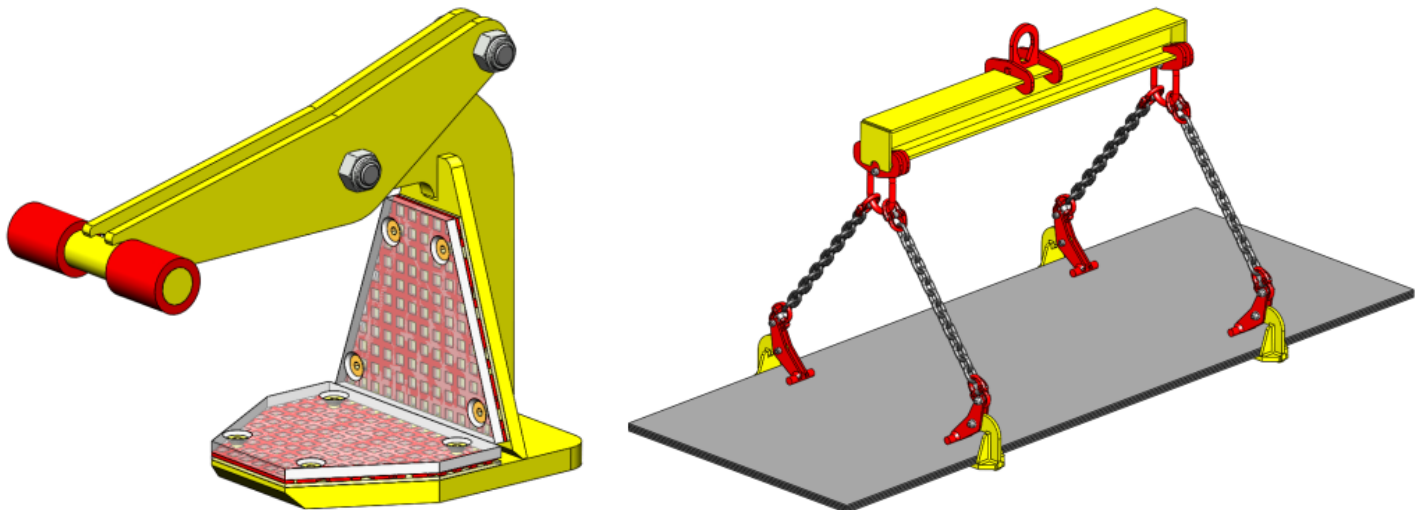
- 1 pair with a 2-legged sling
- Several pairs with 2-legged slings and lifting beam.
- Use in 3s with a 3-legged sling for lifting round sheet metals.

Fit the load into the clamps, making sure they are evenly distributed onto the piece to be lifted. Lifting ensures the clamps' locking. Clamping is proportional to the load lifted, thus avoiding an excessive marking.



DESCRIPTION

Accessories equipped with a tip up lever ensuring the clamping of the load.



TLH1 0-60 with polyurethane coating

TLH with 2-legged sling

CLAMPS WITH POLYURETHANE COATING

These protections do not mark the manipulated sheet metal. This version is therefore to be preferred for handling fragile or painted products in order to avoid marking the products.

FUNCTIONING

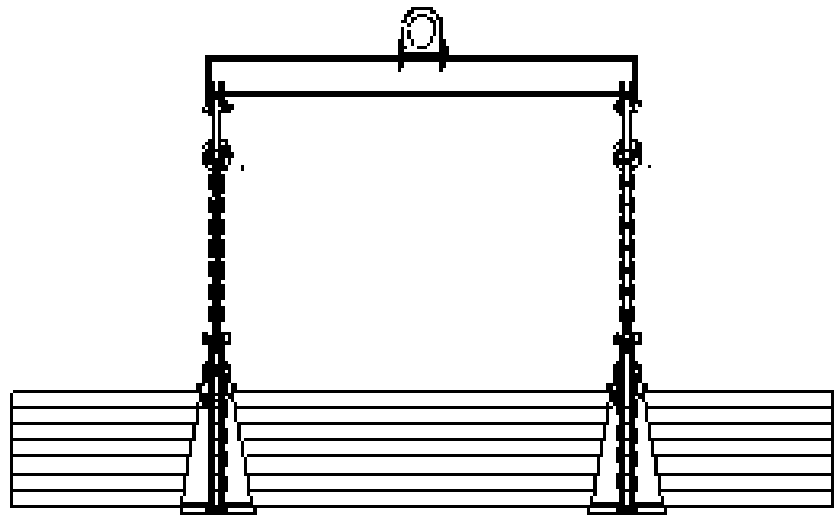
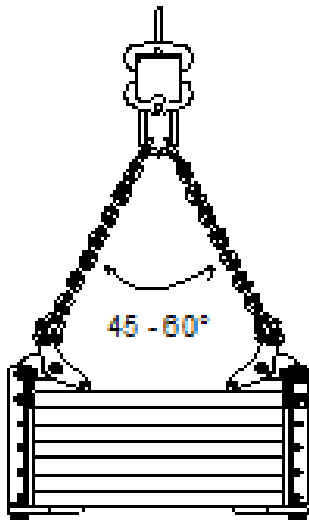
Use in pairs for lifting horizontal plates or sheet metals, individual or in bundles:

- 1 pair with a 2-legged sling.
- Several pairs with 2-legged slings and lifting beam.
- Use in 3s with a 3-legged sling for lifting round sheet metals.

Fit the load into the clamps, making sure they are evenly distributed onto the piece to be lifted. Lifting ensures the clamps' locking. Clamping is proportional to the load lifted, thus avoiding an excessive marking.

IMPORTANT INSTRUCTIONS

- The plate or piece to be lifted must always be driven home into the throat of the clamp.
- The load must be rigid enough not to bend during handling operations.
- Adhere to the recommended sling angles.
- If the sling angle exceeds 60°, use a clamp with a higher WLL according to the tension increase in the sling's leg.
- Line up the slings in the same plane as the clamps.
- Working temperature: -20° to +80°C.
- Not for use in applications important to nuclear safety (IPSN)¹



GENERAL CHARACTERISTICS

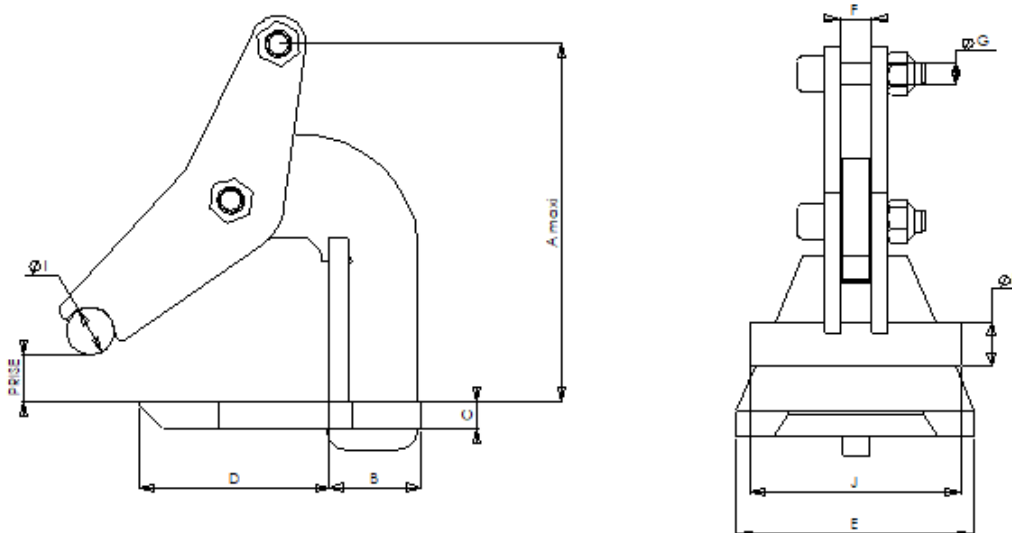
- Hot epoxy coating.
- Safety factor: 3 in accordance with the EN 13155.2003 norm.
- Product with EC marking and delivered with a declaration of conformity and instructions for use.

¹ Importantes Pour la Sûreté Nucléaire

DIMENSIONAL CHARACTERISTICS

Ref.	Group code	WLL pair kg	Opening		A	B	C	D	E	F	G	I	J	Sling hook		chain mini*	Weight/ pair kg
			mini	maxi										mini	maxi		
TLH1 0-60	51038	1 000	60	40	155	40	12	80	90	12	10	20	80	6		6	
TLH1 0-40-PU	189218		40				22					30					
TLH1 0-120	51048		120		255	50	12	120	140	12	12	20	120				
TLH1 0-100-PU	189228	2 000	100				22					30		8	10		
TLH2 0-60	51058		60		165	53	20	100	119	14	12	20	100				
TLH2 0-40-PU	189238		40				30					30					
TLH2 0-120	51068	3 000	120		260	60	15	120	179	14	12	20	150	16			
TLH2 0-100-PU	189248		100				35					30					
TLH3 0-60	51078		60		182	60	20	100	125	16	12	20	100				
TLH3 0-40-PU	189258	4 000	40				30					30		12			
TLH3 0-150	51088		150		324	70	20	150	180	18	16	30	150				
TLH3 0-130-PU	189268		130	0			30					40			45° 60°	10	26
TLH4 0-60	51098	5 000	60		192	69	25	110	125	22	16	20	100	16			
TLH4 0-40-PU	189278		40				35					30					
TLH4 0-150	51108		150		345	74	25	150	159	22	16	30	130				
TLH4 0-130-PU	189288	10 000	130				35					40		34			
TLH5 0-60	51118		60		197	75	25	120	150	22	16	20	130				
TLH5 0-40-PU	189298		40				35					30					
TLH5 0-150	51128	10 000	150		357	80	25	151	200	22	20	30	160	13			
TLH5 0-130-PU	189308		130				35					40					
TLH10 0-60	51138		60		205	80	30	119	170	35	24	30	120				
TLH10 0-40-PU	189318	10 000	40				40					40		16			
TLH10 0-150	51148		150		368	100	30	160	240	35	24	30	180				
TLH10 0-130-PU	189328		130				40					40					

* provide a 2-legged chain sling grade 80 per pair of clamps, assembled onto a coupling at the end of each leg.



PRACTICAL INFORMATION FOR SLING DEFINITION

Plates width (mm)	750 à 1000	1150 à 1500	1500 à 2000	1900 à 2500	2300 à 3000	2670 à 3500	3050 à 4000
Length of each chain (mm)	1000	1500	2000	2500	3000	3500	4000